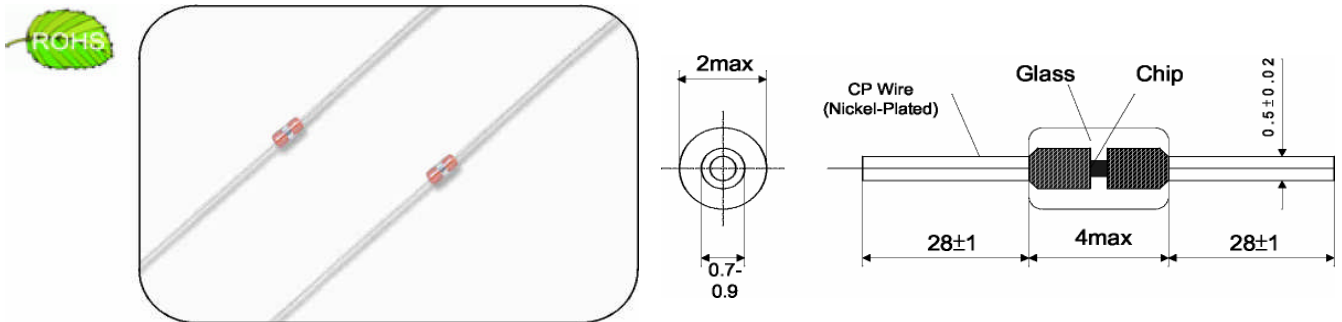


## DHT Series NTC Thermistors

A range of axial glass-encapsulated diode style NTC thermistors suitable for temperature control and temperature compensation upto 300°C



Part No.	Zero Power Resistance at 25°C	R25 Tolerance ( ±%)	B Value (K)	B Value Tolerance (±%)	Operating Temperature Range (°C)	Dissipation Factor δ(mW/°C)	Thermal Time Constant Tc(s)	Rated Power at 25°C
	R25 (kΩ)							Pmax (mW)
502DHTA-#P	5	1, 2, 3, & 5	B <sub>25/50</sub> =3550	1~3	-40~+300	2	10	120
103DHTA-#P	10		B <sub>25/50</sub> =3550					
103DHTB-#P	10		B <sub>25/50</sub> =3950					
103DHTC-#P	10		B <sub>25/85</sub> =3270					
103DHTD-#P	10		B <sub>25/85</sub> =3435					
103DHTE-#P	10		B <sub>25/85</sub> =3470					
103DHTF-#P	10		B <sub>25/85</sub> =3700					
103DHTG-#P	10		B <sub>25/85</sub> =3975					
203DHTA-#P	20		B <sub>25/50</sub> =3950					
203DHTB-#P	20		B <sub>25/50</sub> =4200					
303DHTA-#P	30		B <sub>25/50</sub> =3950					
473DHTA-#P	47		B <sub>25/50</sub> =3950					
503DHTA-#P	50		B <sub>25/50</sub> =3950					
104DHTA-#P	100		B <sub>25/50</sub> =3950					
104DHTB-#P	100		B <sub>25/50</sub> =4000					
104DHTC-#P	100		B <sub>25/85</sub> =3975					
104DHTD-#P	100		B <sub>25/85</sub> =4300					
204DHTA-#P	200		B <sub>25/85</sub> =4000					
204DHTB-#P	200		B <sub>25/85</sub> =4200					
204DHTC-#P	200		B <sub>25/85</sub> =4300					
204DHTD-#P	200	B <sub>25/50</sub> =3950						
204DHTE-#P	200	B <sub>25/50</sub> =4200						

Note: # = R25 Tolerance 1=1%, 2=2%, etc.  
 Alternative R25/B values available  
 Taped versions in reel or ammo-pack available