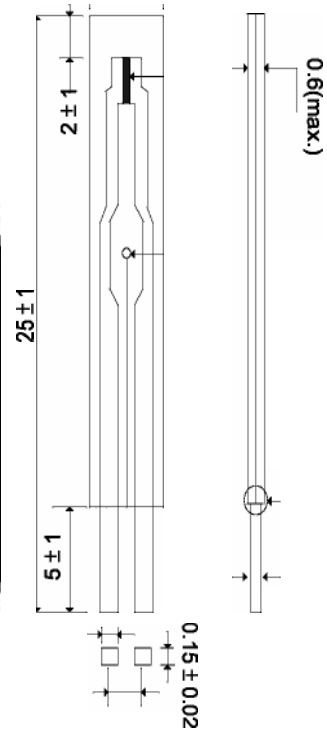
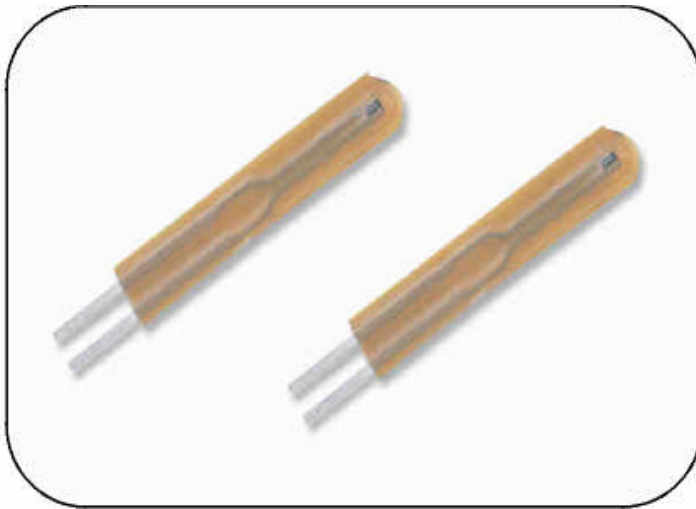


TTF Series NTC Thermistors

A range of ultra-thin film-insulated NTC thermistors suitable for temperature control and temperature compensation upto 100°C



Part No.	Zero Power Resistance at 25°C	R25 Tolerance	B Value	B Value Tolerance	Operating Temperature Range	Dissipation Factor	Thermal Time Constant	Rated Power at 25°C
	R25 (kΩ)							
502TTF3A-#P	5	1,2,3 & 5	3435	1~3	-40~+100	0.7	5	3.5
103TTF3A-#P	10							
203TTF3A-#P	20							
303TTF3A-#P	30							
473TTF3A-#P	47							
473TTF3B-#P	47		3975					
473TTF3C-#P	47		4190					
503TTF3A-#P	50		3435					
104TTF3A-#P	100		3975					
104TTF3B-#P	100		4050					
224TTF3A-#P	220							

Note: # = R25 Tolerance 1=1%, 2=2%, etc.
 Alternative R25/B values available
 50mm long versions also available
 Taped versions available