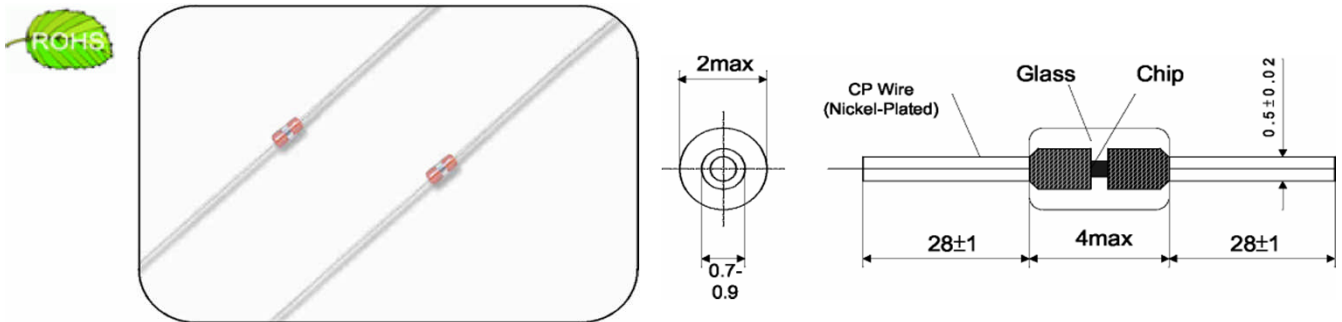


ATCD Series NTC Thermistors

A range of axial glass-encapsulated diode style NTC thermistors suitable for temperature control and temperature compensation upto 200°C



Part No.	Zero Power Resistance at 25°C	R25 Tolerance (±%)	B Value (K)	B Value Tolerance (±%)	Operating Temperature Range (°C)	Dissipation Factor δ(mW/°C)	Thermal Time Constant Tc(s)	Rated Power at 25°C
	R25 (kΩ)							Pmax (mW)
502ATCD-#P	5	1, 2, 3, & 5	B _{25/50} =3550	2~3	-40~+200	2	10	120
103ATCDA-#P	10		B _{25/50} =3550					
103ATCDB-#P	10		B _{25/50} =3950					
103ATCDC-#P	10		B _{25/85} =3270					
103ATCDD-#P	10		B _{25/85} =3435					
103ATCDE-#P	10		B _{25/85} =3470					
103ATCDF-#P	10		B _{25/85} =3700					
103ATCDG-#P	10		B _{25/85} =3975					
203ATCDA-#P	20		B _{25/50} =3950					
203ATCDB-#P	20		B _{25/50} =4200					
303ATCD-#P	30		B _{25/50} =3950					
473ATCD-#P	47		B _{25/50} =3950					
503ATCD-#P	50		B _{25/50} =3950					
104ATCDA-#P	100		B _{25/50} =3950					
104ATCDB-#P	100		B _{25/50} =4000					
104ATCDC-#P	100		B _{25/85} =3975					
104ATCDD-#P	100		B _{25/85} =4300					
204ATCDA-#P	200		B _{25/85} =4000					
204ATCDB-#P	200		B _{25/85} =4200					
204ATCDC-#P	200		B _{25/85} =4300					
204ATCDD-#P	200	B _{25/50} =3950						
204ATCDE-#P	200	B _{25/50} =4200						

Note: # = R25 Tolerance 1=1%, 2=2%, etc.
 Alternative R25/B values available
 Taped versions in reel or ammo-pack available