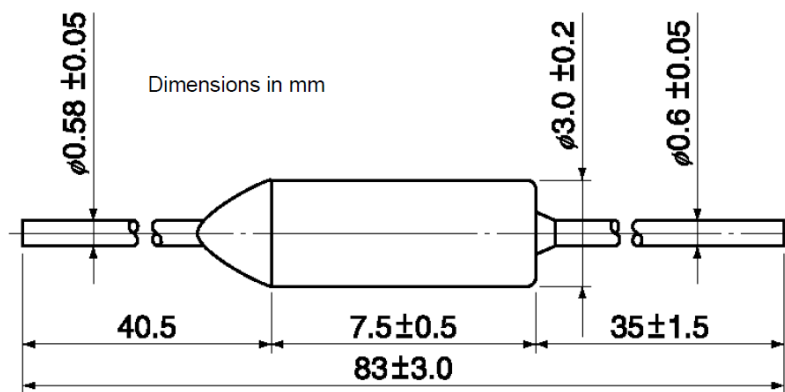


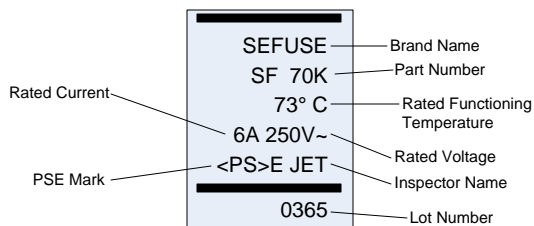


# SEFUSE SF/K Series Thermal Fuses

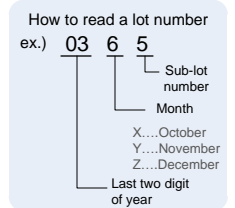
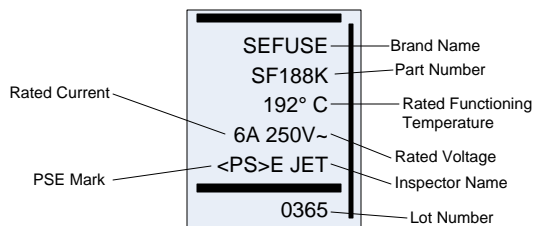
Our SF/K type is a smaller version of our SF/E series but still uses an organic thermosensitive pellet inside a metal case. It features a large cutoff (rated) current of up to 10A/250VAC.



### ■ Marking 1 (SF70K~SF119K)



### ■ Marking 2 (SF188K, SF214K)



## Ratings

Meet for <sup>1)</sup> WEEE (RoHS)	Part Number	Rated Functioning Temperature T <sub>F</sub> (°C)	Operating Temperature (°C)	Holding Temperature T <sub>H</sub> (°C)	Maximum Temperature Limit T <sub>M</sub> (°C)	Rated Current	Rated Voltage	UL- c-UL	VDE	BEAB	CCC	KTL	PSE
								Thailand	Thailand	Thailand	Thailand	Thailand (SU05020) (-XXXX)	Thailand (JET1974- (32001-XXXX)
○	SF 70K	73	70 ± 2	45	150	6A (Resistive)	AC250V	E71747	677802 -1171 -0006	C1180	※1)	5004	1003
○	SF 76K	77	76 ± ½	51									1002
○	SF 91K	94	91 ± ¾	66									1004
○	SF 96K	99	96 ± 2	71									1007
○	SF119K	121	119 ± 2	94									1008
○	SF188K	192	188 ± ¾	164									3
○	SF214K	216	214 ± ½	198	300	5008	1008						

1: 2008010205282881

### Note:

- 1) No use the hazardous substances prescribed by WEEE (RoHS)
- 2) The following electrical ratings were used for the UL, VDE, and TKL safety standards: 10A (Resistive) / AC250V.
- 3) The following SF-types have passed the Conductive Heat Aging Test (CH) specified by the UL safety standard: SF188K and SF214K..