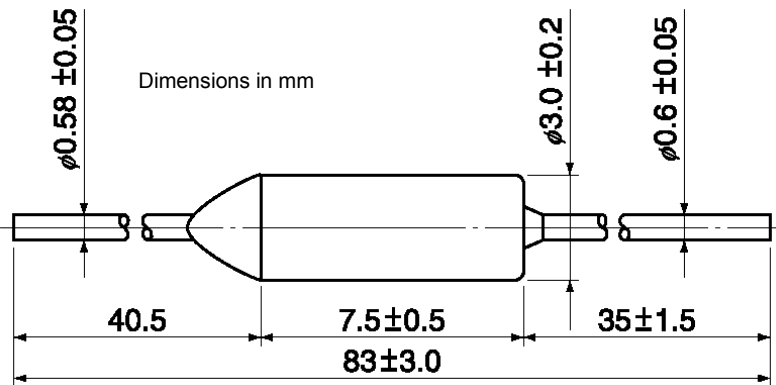
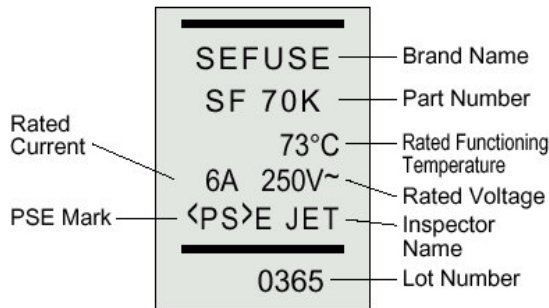


NEC Schott SEFUSE SF/K Series Thermal Fuses

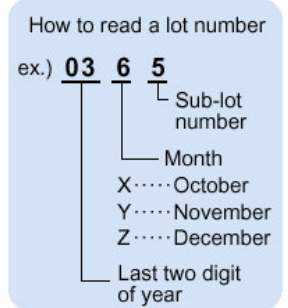
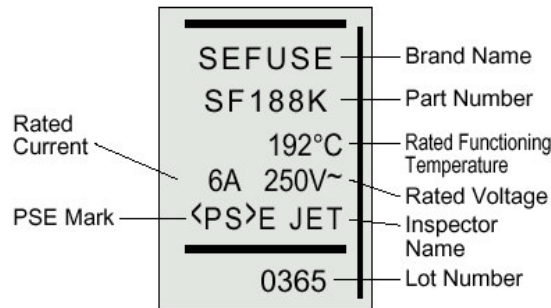
Our SF/K type is a smaller version of our SM/E series but still uses an organic thermosensitive pellet inside a metal case. It features a large cutoff (rated) current of up to 10 A / 250v AC



■ Marking 1 (SF70K~SF119K)



■ Marking 2 (SF188K,SF214K)



■ Ratings

1) Meet for WEEE (RoHS)	Part Number	Rated Functioning Temperature Tf (°C)	Operating Temperature (°C)	Th (°C)	Tm (°C)	Rated Current	Rated Voltage	U.L. cUL	VDE	BEAB	PSE 4) (JET1975-32001-XXXX)
○	SF 70K	73	70 ± 2	45	150	6A (Resistive)	AC250V	E71747	677802 -1171 -0006	C1057	1008
○	SF 76K	77	76 ± 2	51							1010
○	SF 91K	94	91 ± 2	66							1012
○	SF 96K	99	96 ± 2	71							1015
○	SF119K	121	119 ± 2	94							*1
○	SF188K	192	188 ± 3	164	300		3)				
○	SF214K	216	214 ± 3	198							

Note: 1) ○ : No use the hazardous substances prescribed by WEEE(RoHS).

*1: 33-549

2) The following recognition is approved by UL and VDE.

10A(Resistive)/AC250V

3) SF188K and SF214K has a recognition of CH rating by UL.

4) The products indicated in *1 mention a certified number by the former law, the Electrical Appliance Material Control Law, as a transitional measure to the current law, the Electrical Appliance and Material Safety Law of Japan.